



Explorer® Pro

Electronic Balances

The Ohaus Explorer® Pro Series, the new standard for performance and value in laboratory balances

The Explorer Pro Series of standard level balances was designed for simplicity and includes the industry's easiest user interface for easy setup and operation; no training is required. The Explorer Pro offers all the features and durability found in high-end laboratory balances plus the traditional Ohaus quality and support for years of trouble free use

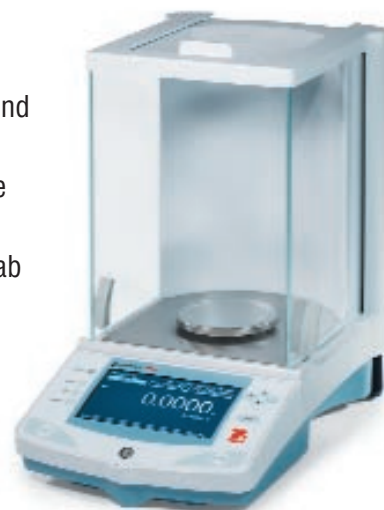
Standard features include:

- Simple 2 key menu operation and navigation
- Text prompts for fast setup
- 7 Application modes plus below balance weighing
- Brilliant backlit high resolution dot matrix display
- RS232 port for easy communication with computer or printer
- GLP compliant with user selectable outputs
- 5 Language operational display text
- Protective in-use cover and security bracket
- EC Type approved models

Explorer® Pro Analytical Balances

Explorer Pro Analytical Models

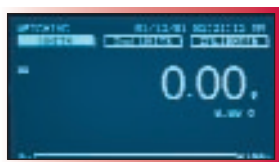
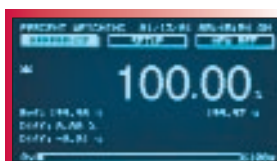
The Explorer Pro Series features 4 analytical models with capacities up to 210 g and 0.1 mg readability for maximum accuracy. The new draughtshield design and contoured fit provide optimum protection from wind currents for superior balance stability and reproducibility in challenging environments such as high traffic areas. Explorer Pro is perfect for university research, teaching laboratories and general lab applications.



Percentage Weighing

Percentage weighing allows you to place a reference load on the pan, and check other samples as a percentage of the reference load.

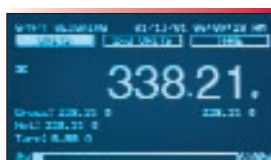
Each new sample will be a “percentage” of the original reference, the display shows the variance in – or + percent of the reference.



Weighing

Basic weighing with primary and secondary weighing units, time, date and capacity bar.

Gross/Net/Tare



G/N/T is an application mode commonly used when you need to identify the individual weights of the container, the material and both together. The Net weight is displayed on the readout.

Analytical Balances

Item Number w/o AutoCal™	EP64	EP114	EP214	EP214D*
Item Number w/ AutoCal™	EP64C	EP114C	EP214C	EP214DC*
Item Number EC Type approved	EP64CM	EP114CM	EP214CM	EP214DCM*
Capacity (g)	62	110	210	100 / 210
Readability		0.1 mg		0.1 / 1 mg
Readability EC Type approved		1 mg		1 / 10 mg
Repeatability (Std. dev.) (mg)		0.1		0.1 / 0.5
Linearity (mg)		± 0.2		± 0.2 / 0.5
Weighing Units	Gram, milligram, ounce, troy ounce, carat, pennyweight, Hong Kong Tael, Singapore Tael, Taiwan Tael, mommes, grain, tical, Newton, custom			
Application Modes	Weighing, Parts Counting, Dynamic Weighing, Checkweighing, Percentage Weighing, Filling, Gross-Net-Tare Weighing			
Features	RS232 Port, Auxiliary Display Port, GLP Protocol, Selectable Language Display Text, Selectable Displayed Information Settings, Selectable Environmental Settings, Selectable Auto-Print Settings, Integral Weigh Below Hook, Contrast & Brightness Control, Protective In-Use cover			
Tare range	Full Capacity by Subtraction			
Stabilization Time (s)	4			
Operating Temperature Range	10° to 30 °C without AutoCal™ 10° to 40 °C with AutoCal			
Power Requirements	100–120 V AC, 220–240 V AC, 50/60 Hz			
Calibration	External/Internal			
Display Type	LCD Dot Matrix w/Backlight			
Display Size (cm)	240 x 128 pixels			
Pan size (cm)	9			
Dimensions WxHxD (cm)	21.5 x 38.1 x 33			
Net Weight (kg)	6			

*Moveable FineRange™

Explorer® Pro Electronic Balances

Analytical and Precision Balances

The Explorer Pro Series was designed with the user in mind. Explorer Pro features an ultra-simple and innovative user interface with on screen text prompts and scroll down menus. One-step operation guides you through Explorer Pro's application modes with a single button press. Explorer Pro's state of the art high-resolution display is easy to view and displays only the information you want to see. Explorer Pro is designed with a spill channel and includes an in-use cover. The Explorer Pro is manufactured to ISO 9001 quality assurance specifications, for the traditional Ohaus quality you've come to expect.

Primary Features

Automatic Calibration

Explorer Pro's optional AutoCal™ calibration feature automatically calibrates the balance when it senses a temperature change sufficient enough to affect weighing accuracy. This feature assures accuracy while saving operational time.

Communication

The standard RS232 communication port offers connectivity to peripherals such as printers and computers.

GLP

Explorer Pro's connectivity capability allows for Good Laboratory Practice compliance. GLP protocol data such as time/date, balance/project, user ID, calibration information and weighing information can be printed or saved to a computer.

Multi-Language Text

Explorer Pro offers 5 language operational display text. Standard language text includes: English, Spanish, French, Italian and German.

Levelling Feet for Quick Set-Up

Standard on all Explorer Pro models.

Innovative Software

Simple to use and easy to follow, with no training or manual required. The 3 application-specific soft-keys allow direct access to features such as calibration, units.

Large Brilliant Display

High-resolution dot matrix display with backlight for enhanced viewing in any environment. The large display screen features user definable text fields to illustrate only the information you want. The display also shows secondary units, time and date. Text prompts simplify menu navigation and balance setup. Display features adjustable contrast and brightness controls.

Protective Cover

Explorer Pro features a durable in-use cover as standard equipment. The replaceable cover protects the display from harsh environments or spills.



Ohaus Explorer Pro: Weighing Units for Every Application.

For total versatility, Explorer Pro offers 7 application modes and 16 standard weighing units for almost any type of mass measurement application

Application Modes:

- Weighing
- Parts Counting
- Dynamic Weighing
- Percentage Weighing
- Checkweighing
- Filling
- Gross/Net/Tare Weighing

- Milligrams
- Grams
- Kilograms*
- Pounds*
- Ounces
- Carats
- Troy Ounces
- Newtons
- Grains
- User Programmable Custom Unit
- Mommes
- Tael (3)
- Ticals
- Pennyweights

*not available on Analytical units

Explorer® Pro Precision Balances

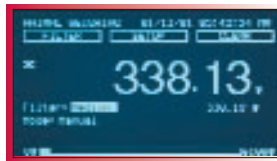
Explorer Pro Precision Topping Models



The Explorer Pro Series features 12 precision toploader models with capacities up to 8100 g and readabilities to 0.1 g for exceptional accuracy. The rugged design and versatility make the Explorer Pro ideal for applications in pharmaceutical, chemical, research and quality control and University research.

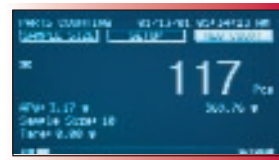
Dynamic Weighing

Dynamic weighing allows the user to weigh unstable matter that may be moving. This mode can be set to manual, semi-automatic, or automatic; the displayed data includes filtered weight and unfiltered weight. Displayed data also includes filter level, capacity bar graph and operation mode (manual, semi or auto).



Parts Counting

Enhanced parts counting features include auto sample optimisation, user definable sample size and manual entry using scroll keys. The “Parts Counting Check” feature allows for quickly checking a sample of pieces against a preset criteria, with results displayed as the number of pieces. The “Parts Counting Fill” feature allows for quick checking of a sample of pieces against an established criteria, with results displayed as a percentage of the preset target.



Precision Balances

Item Number w/o AutoCal™	EP213	EP413	EP613	EP413D*	EP612	EP2102	EP4102	EP6102	EP4102D*	EP4101	EP6101	EP8101
Item Number w/ AutoCal™	EP213C	EP413C	EP613C	EP413DC*	EP612C	EP2102C	EP4102C	EP6102C	EP4102DC*	EP4101C§	EP6101C§	EP8101C§
Item Number EC Type appr.	EP213CM	EP413CM	EP613CM	EP413DCM*	EP612CM	EP2102CM	EP4102CM	EP6102CM	EP4102DCM*	EP4101CM§	EP6101CM§	EP8101CM§
Capacity (g)	210	410	610	100 / 410	610	2100	4100	6100	1000 / 4100	4100	6100	8100
Readability (g)	0.001		0.001/0.01		0.01			0.01/0.1		0.1		
Readability (g) EC Type appr.	0.01		0.01/0.1		0.1			0.1/1		1		
Repeatability (Std. dev.) (g)	0.0005		0.0015	0.0005/0.005		0.005		0.01	0.01/0.05		0.05	
Linearity (g)	± 0.002		± 0.002/0.005		± 0.02			± 0.04	± 0.02/0.05		± 0.1	
Weighing Units	gram, milligram, kilogram, pound, ounce, troy ounce, carat, pennyweight, Hong Kong Tael, Singapore Tael, Taiwan Tael, mommes, grain, tical, Newton, custom											
Application Modes	Weighing, Parts Counting, Dynamic Weighing, Check Weighing, Percentage Weighing, Filling, Gross-Net-Tare Weighing											
Features	RS232 Port, Auxiliary Display Port, GLP Protocol, Selectable Language Display Text, Selectable Displayed Information Settings, Selectable Environmental Settings, Selectable Auto-Print Settings, Integral Weigh Below Hook, Contrast & Brightness Control, Protective In-Use cover											
Tare range	Full capacity by subtraction											
Stabilization time	3 seconds											
Operating Temperature Range	10° to 30 °C without AutoCal™ (automatic internal calibration) 10° to 40 °C with AutoCal™ (automatic internal calibration)											
Power Requirements	100–120 V AC, 220–240 V AC, 50/60 Hz											
Calibration	External/Internal											
Display Type	LCD Dot Matrix w/Backlight											
Display Size (cm)	240 x 128 pixels											
Pan size (cm)	12 dia.				17.2 x 17.2 with windshield					20.3 x 20.3§		
Dimensions WxHxD (cm)	21.5 x 38.1 x 33				21.5 x 10.1 x 33							
Net Weight (kg)	6				5							

* Moveable FineRange™

§ Balances with AutoCal™ are equipped with a 17.2cm x 17.2cm pan and windshield

Explorer® Pro High-Capacity Balances

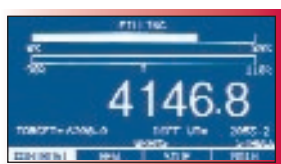
Explorer Pro High Capacity Models

The Explorer Pro Series features 3 high capacity precision toploader models with capacities up to 32,000 g and readabilities to 0.1 g. The extra large 28x35.6 cm platform is ideal for laboratory and industrial applications in concrete/asphalt production, agriculture and quality control. Explorer High Capacity has been upgraded with Check and Differential Weighing, Statistical Functions, Formulation, and Filling.

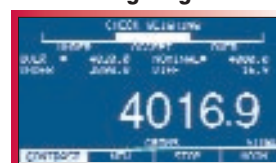


Filling

Filling permits the user to preset a target reference weight, then add material to the balance to meet the target weight. The display shows the preset target weight and the percentage of the target by monitoring the differential data, the fill bar is split in two sections for fast filling up to 90%, then slower accurate fill to reach target (100%) weight.



Checkweighing

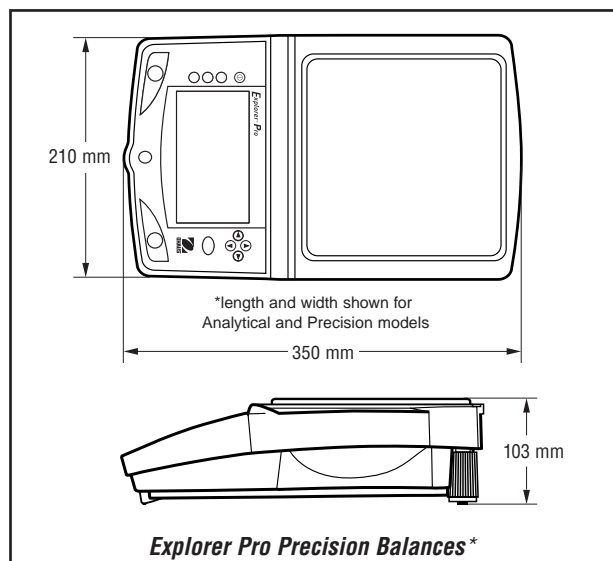
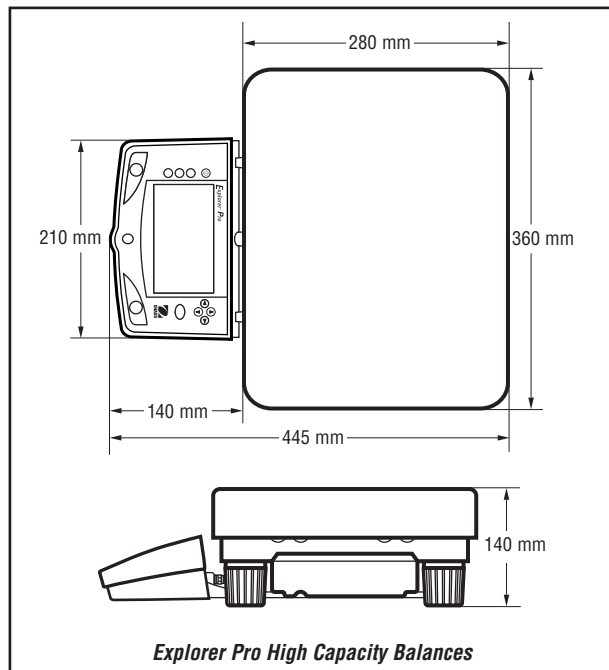
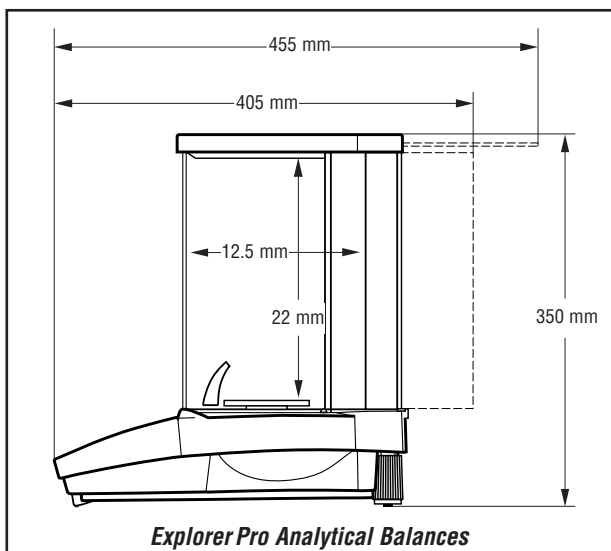


Checkweighing is used when items need to be checked against a preset target, after the target weight is set, and over/under parameters are established. Checkweighing is measured as a factor over the target, under the target, or accept. The display automatically shows the difference in percent and weight.

High Capacity Balances

Item Number w/o AutoCal™	EP12001	EP22001	EP32001
Item Number w/ AutoCal™	EP12001C	EP22001C	EP32001C
Item Number EC Type approved	EP12001CM	EP22001CM	EP32001CM
Capacity (g)	12 000	22 000	32 000
Readability (g)		0.1	
Readability (g) EC Type approved		1	
Repeatability (Std. dev.) (g)		0.1	
Linearity (g)		±0.4	
Weighing Units	Gram, kilogram, pound, ounce, troy ounce, carat, pennyweight, Hong Kong Tael, Singapore Tael, Taiwan Tael, mommes, grain, tical, Newton, custom		
Application Modes	Weighing, Parts Counting, Filling, Dynamic Weighing, Check Weighing, Differential Weighing, Formulation, Quick Check Weighing, Statistics		
Features	RS232 Port, Auxiliary Display Port, GLP Protocol, Selectable Environmental Settings, Selectable Auto-Print Settings, Weigh Below Hook, Contrast & Brightness Control		
Tare range	Full Capacity by Subtraction		
Stabilization Time (s)	4		
Operating Temperature Range	10° to 30 °C without AutoCal 10° to 40 °C with AutoCal		
Power Requirements	100–120 V AC, 220–240 V AC, 50/60 Hz		
Calibration	External/Internal		
Display Type	LCD Dot Matrix w/Backlight		
Display Size (cm)	240 x 128 pixels		
Pan size (cm)	28 x 35.6		
Dimensions WxHxD (cm)	35.5 x 13.3 x 40.6		
Net Weight (kg)	12.3		

Explorer® Pro Electronic Balances



Additional Features

RS232 port for easy communication with computer or printer, GLP compliant with user selectable outputs, protective in-use cover, security bracket

Optional Accessories

The Explorer Pro Series offers a complete line of accessories and masses to expand your mass measurement capabilities, including: Density determination kit (for 0.1 mg and 1 mg balances), model SF42 42-column impact printer, security devices, RS232 cables, calibration masses. Contact your Ohaus dealer for our complete offering.

Industry Leading Quality and Support

All Ohaus Explorer Pro balances are manufactured under an ISO 9001 Registered Quality Management System. Our rugged construction and stringent quality control have been hallmarks of all Ohaus products for nearly a century.

Ohaus UK Ltd.
64 Boston Road
Beaumont Leys
Leicester LE4 1AW
Tel.: 0116 234 5075
Fax: 0116 235 9256
e-mail: uksales@ohaus.com

Ohaus Europe & MEA
Heuwinkelstrasse
CH-8606 Nänikon
Switzerland
Tel.: +41-1-944 33 66
Fax: +41-1-944 32 30
e-mail: EuropeSales@Ohaus.com

Ohaus Corporation
* 19 Chapin Road
Pine Brook, NJ 07058 USA
Tel.: +1-973-377-9000
Fax: +1-973-593-0359
e-mail: OhausHQ@Ohaus.com

With offices in Mexico, Switzerland, England, Germany, France, Spain, Italy, Poland, Russia, Japan, Korea and China

* **ISO 9001**
Registered Quality Management System

www.ohaus.com

80774025 © Copyright Ohaus Corporation

