

X320



ZERO

TARE

GROSS / NET

MENU

FUNCTION

designed and built to last in harsh environments



The X320 combines innovation in industrial design and engineering excellence to create a product that is ideal for use in heavy wash down applications and rugged environments.

- Food processing
- Automotive
- Chemical
- Pharmaceutical applications
- Applications that require reliable operation in harsh environmental conditions

(and nothing gets in!)

Rated to IP69K - the industry's highest environmental protection rating. Meaning the X320 has been designed to withstand cleaning with high pressure water jets (1450psi) at high temperature (up to 80°C) from multiple angles.

Tough enclosure - the X320 is made of an impact resistant composite alloy and designed to withstand knocks.



X320 with optional pole mount.

(exceptional housing)



What makes this housing exceptional?

The design - sealed and tough

- Double O ring to seal the two clams
- Single front panel to protect the display and avoid leaks
- Capacitive keys therefore no moving parts
- No glued membrane to fail
- No traditional keypad to damage
- No external parts using adhesive
- Sturdy design with enhanced wall strength

The material - high tech composite alloy

- Food grade
- Chemical resistant
- Impact resistant



The **X320** indicator builds on Rinstrument's already successful **R320** IP65 indicator. It provides:

- General purpose weighing functions;
- Clear highly visible display - 20mm LCD display with LED backlight
- Customise - Programmable function key and configurable printing
- Versatile power options - AC, DC and rechargeable NiMH battery options
- Built-in check weigh function - low and 3 coloured high intensity status LEDs
- Isolated outputs - Over, Under, Pass. High side driver up to 400mA, allowing for example, direct connection to PLCs and for external actuators to be driven directly
- Built-in RS232 communications port
- Flexible mounting options - stainless steel desk/wall mount and pole mount

The use of a capacitive keyboard allows the front panel to be constructed as a single piece. The **X320** keypad senses an operator's finger, whether gloved or not, from the inside of the enclosure. There are no moving parts to wear out, no glue to deteriorate and no keypad tails to fail due to vibration or corrosion. The strength of the single front fascia increases the durability of the instrument, protecting the LCD and electronics from external impacts.

easy transfer of setup

The magnetically coupled opto-link on the front panel provides a convenient temporary connection to a laptop for:

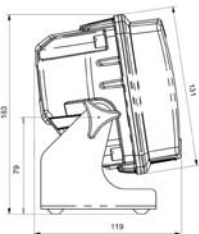
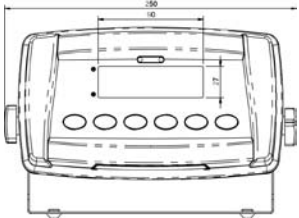
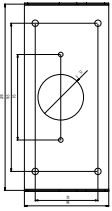
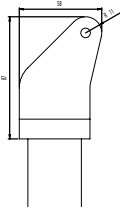
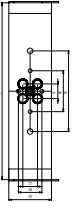
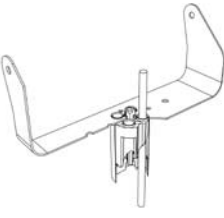
- Transfer of setup and calibration information
- Download of software upgrades

No need to access rear of the indicator.



X320
THAT'S WEIGHING SMART

| Performance | | |
|---------------------------------------|---|---|
| Resolution | Up to 30,000 divisions, minimum of 0.25µV/division, 20 updates/second | |
| Zero Cancellation | +/- 2.0mV/V | |
| Span Adjustment | 0.1mV/V to 3.0mV/V full scale | |
| Excitation | 5V for up to 4 x 350 or 8 x 700 ohm load cells (4-wire or 6-wire plus shield) Maximum total load cell resistance: 3,500 ohms | |
| A/D Type | 24bit Sigma Delta with 8,388,608 internal counts | |
| Operating Environment | Temperature: -10 to +50°C ambient Humidity: 100% Storage: -20 to +50°C ambient IP69K and IP68 | |
| Display | | |
| Display | LED Backlit LCD with six 20mm high digits with units and annunciators | |
| Setup and Calibration | Full digital with visual prompting in plain messages | |
| Digital Filter | Sliding window average from 0.1 to 4.0 seconds | |
| Zero Range | Adjustable from +/- 2% to +/- 20% of full capacity | |
| Power Input | | |
| Standard Power Input | 12 to 24VDC, 9.6,12 and 24V batteries (2.5 VA max) – ON/OFF key with memory feature | |
| Variants | AC | AC Power supply: 110/240VAC 50/60Hz in 12VDC 1.2A out |
| | Battery | 12V battery pack (rechargeable NiMH) |
| Features | | |
| Optical Data Communications | Magnetically coupled infra-red communications. Conversion cables available for RS-232 or USB | |
| Correction | Ten point linearity correction | |
| Serial Outputs | RS-232 automatic transmit, network or printer outputs. Transmission rate: 2400, 4800 or 9600 baud | |
| Assignable Function Key | 1 | |
| Input/Outputs | 3 Outputs - isolated transistor drive outputs (400mA total at 50VDC) | |
| Battery Backed Clock Calendar | Battery life 10 years minimum | |
| Functions | Unit switching, counting, manual hold, peak hold, live weight and totalising Check weighing – low, pass, high (3 colour status high intensity LEDs) Configurable print format | |
| Setpoints | 3 | |
| Remote Input (Shared with Comms Port) | 1 | |
| Case Materials | PC+Polyester alloy, PBT, Silicon Rubber, SS304 Stand | |
| Packing Weights | Basic Indicator: 2kg | |
| Optional Mountings | Stainless steel desk/wall mount. Stainless steel pole mount | |

| Weight Indicator | Dimensions in mm (1 inch = 25.4 mm) | | Mounting Options | | |
|---|---|---|---|---|---|
| Side View | Front View | Desk/Wall Mount | Pole/Wall Mount | | |
|  |  |  |  |  |  |